



Propel™

Owner's Manual Addendum

Congratulations on your decision to purchase a Hot Spot® Propel! This Owner's Manual Addendum is provided as a supplement to the Hot Spot Owner's Manual included with

your hot tub. It is very important that you read the Hot Spot Owner's Manual. Please refer to the following pages for information specific to the Propel model that is not included in the original Hot Spot Owner's Manual to ensure successful set-up and operation of your new Propel hot tub. If you have any questions about the information contained in this addendum, please contact your local Hot Spot dealer.

HOT SPOT

The logo for Hot Spot, featuring the words "HOT SPOT" in a bold, black, sans-serif font. Below the text is a stylized graphic of three blue waves, with a registered trademark symbol (®) to the right.

From the makers of



HotSpring®
Portable Spas

ELECTRICAL INSTALLATION

ELECTRICAL REQUIREMENTS AND PRECAUTIONS

Your Hot Spot® spa has been carefully designed to give you maximum safety against electrical shock. Connecting the spa to an improperly wired circuit will negate many of the spa's safety features. Improper wiring may also cause electrocution, risk of fire, and other risks of injuries. Please read and follow the electrical installation requirements and instructions for your spa completely!

HOT SPOT SPAS MUST BE WIRED IN ACCORDANCE WITH ALL APPLICABLE NATIONAL AND LOCAL ELECTRICAL CODES. ALL ELECTRICAL WORK SHOULD BE DONE BY AN EXPERIENCED, LICENSED ELECTRICIAN. WE RECOMMEND THE USE OF APPROPRIATE ELECTRICAL CONDUIT, FITTINGS, AND WIRE FOR ALL CIRCUITS.

The Propel spas requires a 16 amp, single phase, 240 volt, three wire service (one line, one neutral, one ground). Additionally, one main disconnect switch with at least 3 mm separation between contacts must be used for all electrical circuits to the spa.

Mount the subpanel according to local codes, but not closer than 1.5 meters (5 feet) away.

CONDUIT INSTALLATION INSTRUCTIONS

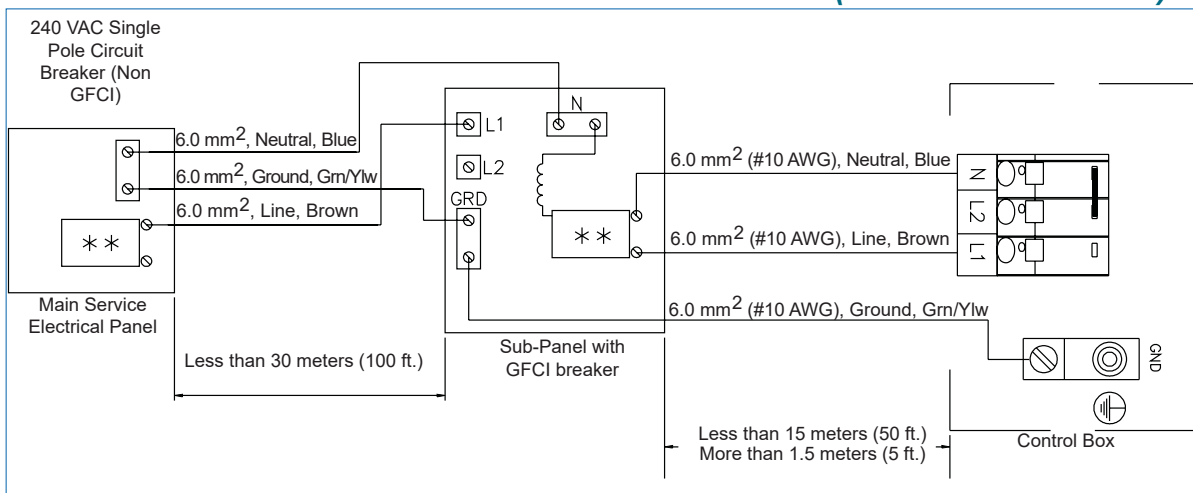
1. To connect the electrical service, first remove the screws from the equipment compartment door. Carefully pull the door panel down and away in order to remove it completely from the spa.
2. Locate the control box. Loosen the screws on the front of the control box. Remove the screws and the control box cover.
3. Route the electrical conduit through the access opening of the spa.
4. Connect the supply conduit to the control box and connect the wiring as detailed on the next page, or on the wiring diagram label on the inside of the control box cover.

⚠ **WARNING:** Removing or bypassing any GFCI breaker will result in an unsafe spa and will void the spa's warranty.

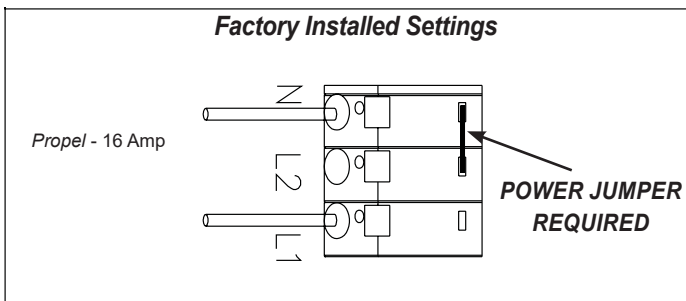
IMPORTANT: Should you ever find the need to move or relocate your Hot Spot spa, it is essential that you understand and apply these installation requirements. Your Hot Spot spa has been carefully engineered to provide maximum safety against electric shock. Remember, connecting the spa to an improperly wired circuit will negate many of its safety features.

NOTE: Long wiring runs may require larger-gauge wire than stated.

240 VOLT 50HZ SUBPANEL WIRING (PROPEL MODEL)



Factory Installed Settings



SPA SPECIFICATIONS & ILLUSTRATION

PROPEL™ (MODEL PRPE)

HORIZONTAL DIMENSIONS:	82" (208 cm.) x 82" (208 cm)
HEIGHT (without cover):	33" (84 cm.)
EFFECTIVE FILTER AREA:	.65 sq. ft. (6.03 m ²)
HEATER:	2000 watts (2.0 kW) @ 240 volts
WATER (capacity):	310 gallons (1175 liters)
WEIGHT:	730 lbs. dry (330 kg.), 4190 lbs. filled (1905 kg.) (Includes weight of water and 5 adults @ 175 lbs./79kg. each)
DEAD WEIGHT (filled):	105 lbs. ft. ² , (505 kg. per m ²)
ELECTRICAL REQUIREMENTS:	240 volt 16 amp single phase G.F.C.I. circuit
NOTE:	All wiring must be performed by a licensed electrician
CERTIFICATIONS:	CE Listed

OVERHEAD VIEW

- A. Air Control Lever
- B. Control Panel
- C. Filter Compartment*
- D. Temperature Sensor
- E. Directional Precision® Jet
- F. Directional Hydromassage Jet
- G. Rotary Hydromassage
- H. Outlet for optional Ozone
- I. Drain/Suction
- J. Pillow
- K. Waterfall
- L. Waterfall On/Off Valve

*** WARNING: DO NOT SIT IN THE FILTER COMPARTMENT AREA "THIS IS NOT A SEAT"!!!**

Sitting in this area can cause:

- Restriction of filter pump suction/vacuum.
- Damage to components.

Both can result in bodily harm.

Should damage occur to components in this area, replace immediately!



JET MENU

PROPEL™ (MODEL PRPE) JET SYSTEM MENU



JET SYSTEM

- 8 Directional Precision Jets on back left wall
- 1 Directional Hydromassage Jets on back wall
- 2 Directional Hydromassage Jets on back right wall
- 1 Water Feature
- 2 Directional Precision Jets in Lounge (calf jets)
- 2 Directional Hydromassage Jets and 1 Rotary Hydromassage Jet in lounge

JET PUMP CONTROL

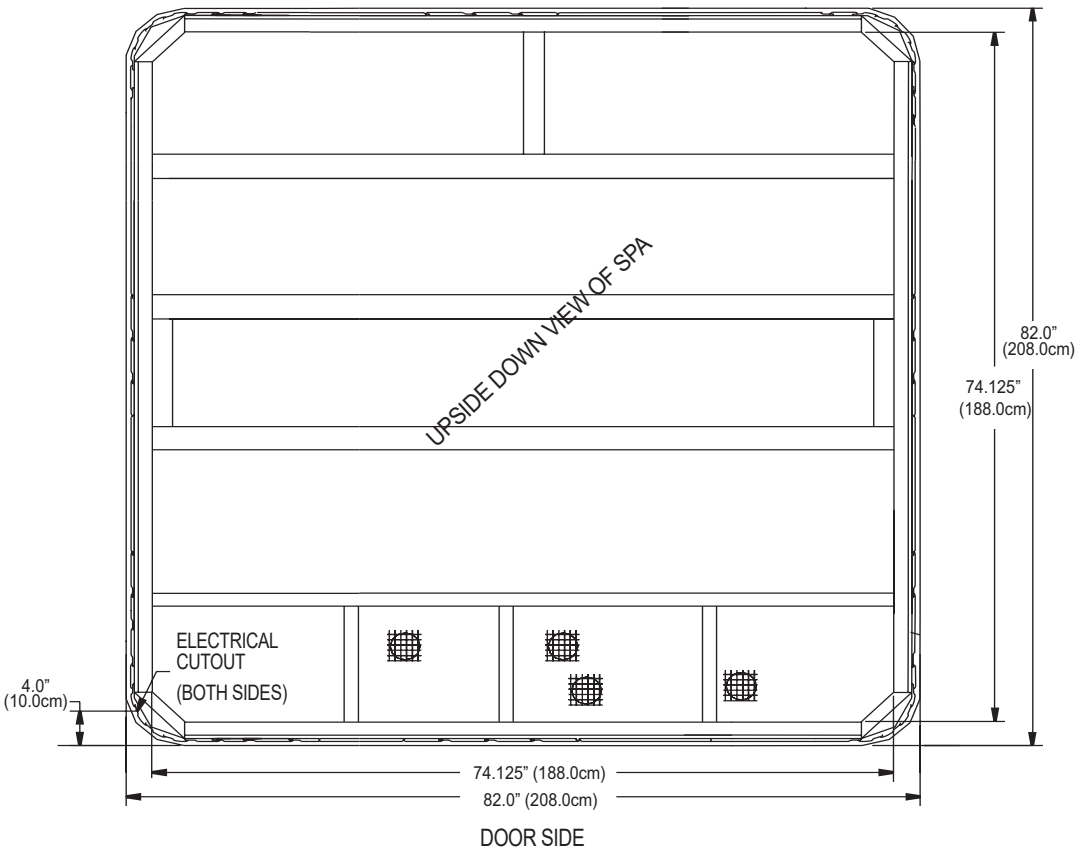
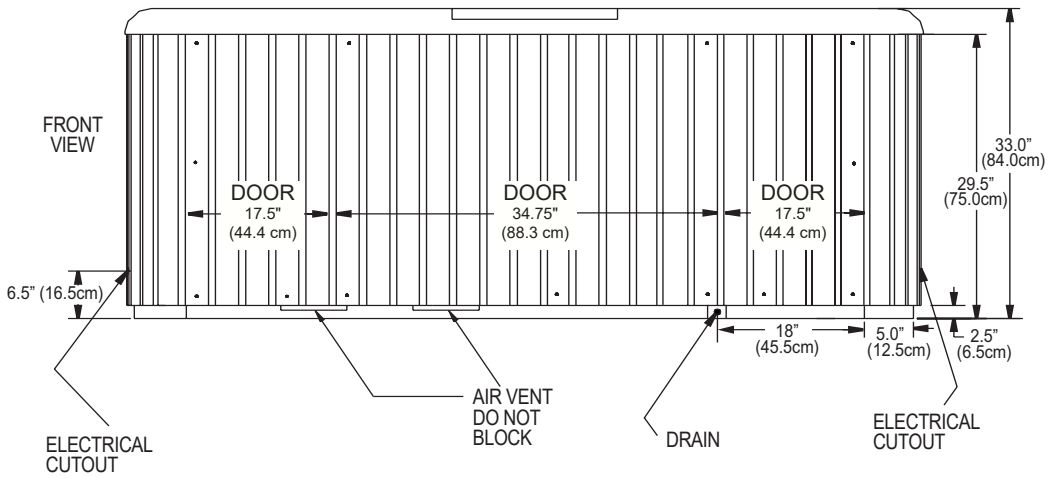
Pressing the Jet button changes the jet pump functions, depending on the number of presses:

- 1st press: Two-speed jet pump runs on low speed
- 2nd press: Two-speed jet pump runs on high speed
- 3rd press: Jet pump is off



PROPEL

NOTE: All dimensions are approximate; measure your spa before making critical design or pathway decisions.



NOTE: Watkins Manufacturing Corporation recommends that the **PROPEL** be installed on a minimum (10 cm) thick reinforced concrete pad or structurally sound deck able to support the "dead weight" found on the spa specification page.

IMPORTANT: The **PROPEL** must not be shimmed in any manner.

